

ICS 97.040.30

**ČSN**  
**EN ISO 15502**  
**OPRAVA 1**  
14 2711

Červen 2008

ČESKÁ TECHNICKÁ NORMA

**Chladicí zařízení pro domácnost – Charakteristiky a zkušební metody**





EUROPEAN STANDARD

**EN ISO 15502:2005/AC**

NORME EUROPÉENNE

December 2007

EUROPÄISCHE NORM

Décembre 2007

Dezember 2007

ICS 97.040.30

English version  
Version Française  
Deutsche Fassung

Household refrigerating appliances - Characteristics and test methods (ISO 15502:2005/Cor 1:2007)

Appareils de réfrigération à usage ménager  
- Caractéristiques et méthodes d'essai (ISO 15502:2005/Cor 1:2007)

Haushalt-Kühl-/Gefriergeräte -  
Eigenschaften und Prüfverfahren (ISO 15502:2005/Cor 1:2007)

This corrigendum becomes effective on 5 December 2007 for incorporation in the official German and English versions of the EN.

Ce corrigendum prendra effet le 5 décembre 2007 pour incorporation dans les versions officielles allemande et anglaise de la EN.

Die Berichtigung tritt am 5. Dezember 2007 zur Einarbeitung in die offizielle Deutsche und Englische Fassung der EN in Kraft.



EUROPEAN COMMITTEE FOR STANDARDIZATION  
COMITÉ EUROPÉEN DE NORMALISATION  
EUROPÄISCHES KOMITEE FÜR NORMUNG

**Management Centre: rue de Stassart, 36 B-1050 Brussels**

© 2007 CEN All rights of exploitation in any form and by any means reserved worldwide for CEN national Members.  
Tous droits d'exploitation sous quelque forme et de quelque manière que ce soit réservés dans le monde entier aux membres nationaux du CEN.  
Alle Rechte der Verwertung, gleich in welcher Form und in welchem Verfahren, sind weltweit den nationalen Mitgliedern von CEN vorbehalten.

## **English version**

### **Endorsement Notice**

The text of ISO 15502:2005/Cor.1:2007 has been approved by CEN as a European Corrigendum without any modifications.

## **Deutsche Fassung**



Published 2007-02-15

INTERNATIONAL ORGANIZATION FOR STANDARDIZATION • МЕЖДУНАРОДНАЯ ОРГАНИЗАЦИЯ ПО СТАНДАРТИЗАЦИИ • ORGANISATION INTERNATIONALE DE NORMALISATION

## Household refrigerating appliances — Characteristics and test methods

### TECHNICAL CORRIGENDUM 1

Technical Corrigendum 1 to ISO 15502:2005 was prepared by Technical Committee ISO/TC 86, *Refrigeration and air-conditioning*, Subcommittee SC 5, *Testing and rating of household refrigeration appliances*.

---

#### *Page 1, Normative references*

Date and correct the reference to IEC 60335-2-24 by replacing it with the following:

IEC 60335-2-24:2006, *Household and similar electrical appliances — Safety — Part 2-24: Particular requirements for refrigerating appliances, ice-cream appliances and ice-makers*

Delete the footnote.

#### *Page 56, Note to Figure 15*

Replace the Note with the following, thereby deleting an incorrect cross-reference to Figure 13:

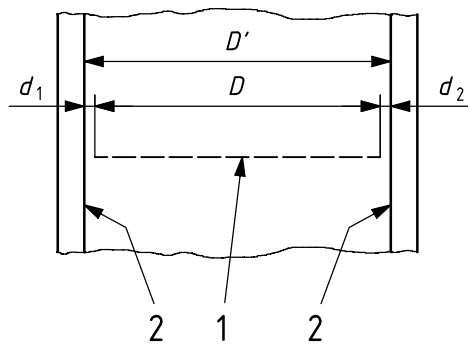
NOTE The arrangements for cellar compartments also apply to appliances that consist only of a cellar compartment. For different evaporator arrangements in the fresh-food compartment, see also Figure 14.

#### *Page 59, Figure 17*

Add “Dimensions in millimetres” to the top right-hand corner of the figure.

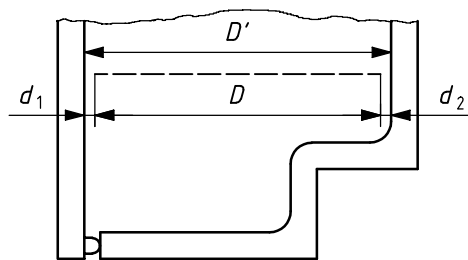
#### *Pages 65 and 66, Figures 18 and 19*

Replace Figures 18 and 19 with the following, whose legends have been corrected and to which captions have been added.



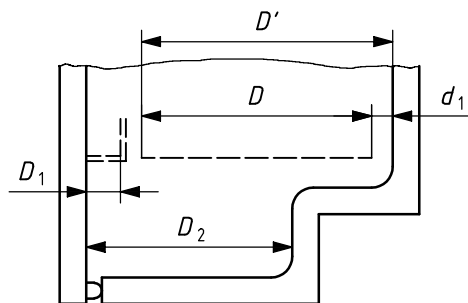
**a) Determination of width of shelf**

If  $d_1 + d_2 \leq 20$  mm:  
 dimension of shelf =  $D'$   
 If  $d_1 + d_2 > 20$  mm:  
 dimension of shelf =  $D$



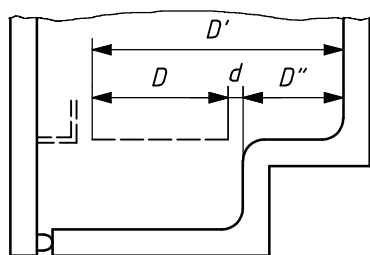
**b) Determination of depth of shelf**

If  $d_1 + d_2 \leq 20$  mm:  
 dimension of shelf =  $D'$   
 If  $d_1 + d_2 > 20$  mm:  
 dimension of shelf =  $D$



**c) Determination of depth of shelf of upright-type refrigerating appliance**

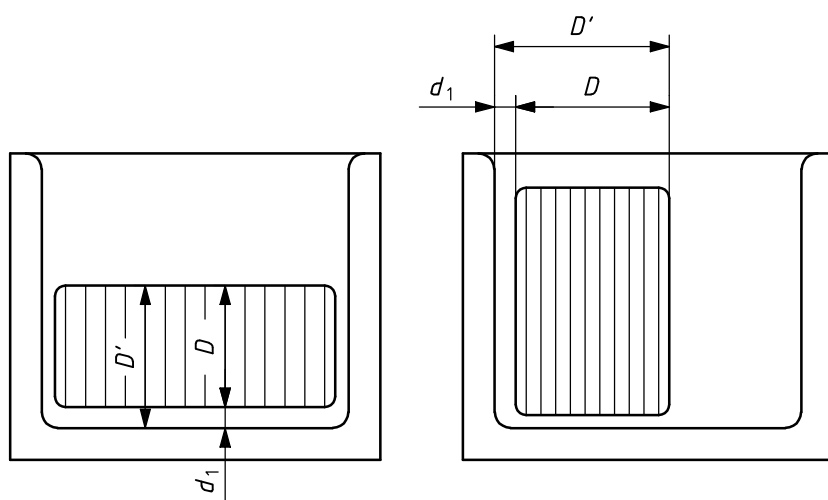
If  $d_1 \leq 20$  mm:  
 dimension of shelf =  $D'$   
 If  $d_1 > 20$  mm:  
 dimension of shelf =  $D$   
 $D_1$  dimension of door shelf  
 $D_2$  dimension of bottom of refrigerating appliance



**d) Determination of depth of shelf with juxtaposed parts**

If  $d \leq 20$  mm:  
 dimension of shelf =  $D'$   
 If  $d > 20$  mm:  
 two shelves of dimensions  $D$  and  $D''$

**Figure 18 — Examples of determination of dimensions for calculating shelf area (see 7.3)**



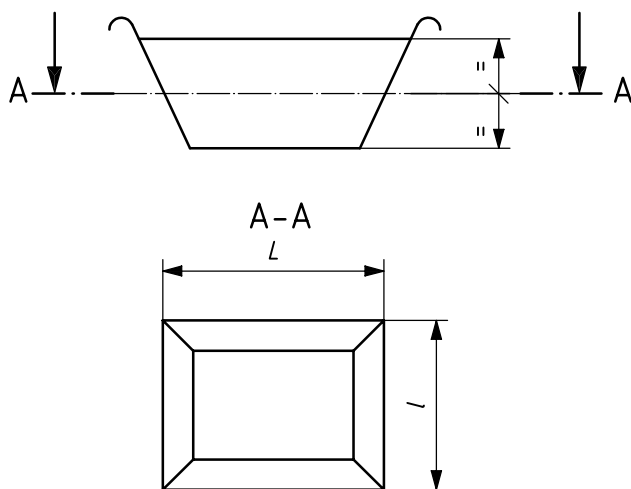
If  $d_1 \leq 20$  mm:  
 dimension of shelf =  $D'$   
 If  $d_1 > 20$  mm:  
 dimension of shelf =  $D$

**e) Determination of width and depth of fractional shelves**

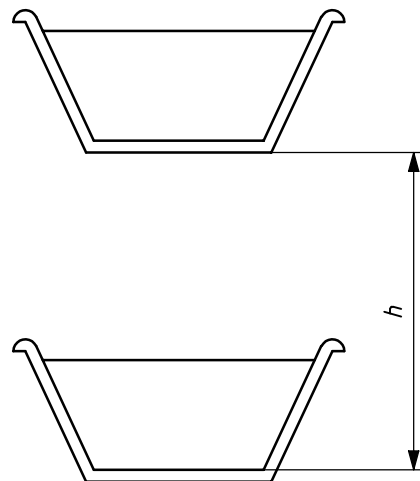
**Key**

- 1 shelf
- 2 inner wall

**Figure 18 — Examples of determination of dimensions for calculating shelf area (see 7.3) (continued)**



**a) Area of basket**



**b) Vertical clearance above basket**

$h \geq 80$  mm

$h \geq 52$  mm for any frozen-food storage compartment

**Figure 19 — Examples of determination of mean dimensions for calculating basket area (see 7.3.2.6, 7.3.2.7.2 and 7.3.2.7.3)**

*Page 74, Annex B, B.1*

In the definition of *D* given after the formula, correct the cross-reference to the subclause from 3.6.21 to 3.6.20.

*Page 81, Bibliography*

Change the date of Reference [3] from 1989 to 2004.

Correct the title of Reference [4] to *Household and similar electrical appliances — Safety — Part 1: General requirements*.









U p o z o r n ě n í : Změny a doplňky, jakož i zprávy o nově vydaných normách jsou uveřejňovány ve Věstníku Úřadu pro technickou normalizaci, metrologii a státní zkušebnictví.

**ČSN EN ISO 15502 OPRAVA 1**

Vydal ČESKÝ NORMALIZAČNÍ INSTITUT, Praha  
Rok vydání 2008, 12 stran

**81145** Cenová skupina 410



8 590963 811451